

ICON

LEGEND & DESCRIPTION

Material	HSS	High Speed Steel	HSS Co5	5% Cobalt High Speed Steel	HSS Co8	8% Cobalt High Speed Steel	HSS Co8e	8% Cobalt HSS, Eccentric Relief Sharpening		
	HSS V3	3% Vanadium High Speed Steel	SOLID CARBIDE	9-10% Cobalt, 0.2-0.8 µm Grain size.	CARBON STEEL	Carbon Steel				
Finish	BLUE FINISH	Steam (HOMO) Temper	BRIGHT FINISH	No Surface Treatment	BRIGHT FINISH WITH TIN TIP	TIN Coated for a length of 4 x diameter				
	GOLD OXIDE	Steam (HOMO) Temper Straw Colour	TiAIN	Titanium Aluminium Nitride (Black Finish)	TIN	Titanium Nitride (Gold Finish)	X.TREME	TiAlN suited to Solid Carbide (Violet -grey Finish)		
Type	TYPE N	Type N Standard	TYPE W	Type W For Soft Materials	TYPE H	Type H For Hard Materials	TYPE FS	Parabolic Flute Strong Core		
	CBA	Colour Band Application								
Milling Profile		Staggered Teeth Side & Face Cutters		Straight Teeth Side & Face Cutters						
		Fine Pitch Knuckle Type Roughing Profile		Coarse Pitch Knuckle Type Roughing Profile		Fine Pitch Flat Crest Rough Semi-finishing Profile		Coarse Pitch Flat Crest Rough Semi-finishing Profile		
Standard	ISO 529	ISO Standard 529	DIN 371	DIN Standard 371	WORKS STD.	Factory Specifications				
	RF	Refined Flute	QS	Quick Spiral	H 7	Reamer to produce H7 Tolerance				
Shank		Flatted Shank h6 Tolerance		Plain Shank h7 Tolerance		Threaded Shank h8 Tolerance		Carbide Plain Shank h6 Tolerance		
		Morse Taper Shank MT 3 - 5								
Point Angle								Drill Point Angles		
		Countersink Angles 60° & 90°								
Lengths		Drills Stub Series		Drills Jobber Series		Drills Long Series		Drills Extra Length Series		
		End Mills Regular Series		End Mills Long Series						
Flute Helix Angle										Right hand helix
				Left hand helix						
Centre Drills		Form A Standard		Form B Protected		Form R Radius				
Inclination		To Suit 1 in 10 Taper		To Suit 1 in 50 Taper		To Suit 1 in 48 Taper				



ICON

LEGEND & DESCRIPTION

Threads	M Metric	MF Metric Fine	BSW British Standard Whitworth	BSF British Standard Whitworth Fine							
	UNC Unified National Coarse	UNF Unified National Fine	BSPT British Standard Pipe Taper "F" Series	BSP British Standard Pipe (Fine) "G" Series							
	NPS National Pipe Straight	NPT National Pipe Taper	BA British Association	BSB British Standard Brass							
	Thread Form - with 47½°/55°/60° flank angle										
Tolerance	h8 (d)	h8	k10	h10	k12	e8	Tolerance on cutting Diameter				
	wreS d=h12	wsd11 d=d11	Woodruff Tolerance			rH11 d1=js14	Corner Rounding Tolerance				
Application		Taper, Through & Blind Hole			Through & Blind Hole			Blind Hole Tapping		Through Hole Tapping	
		Direction of Cut									
	LH	Left Hand Cutting				RH	Right Hand Cutting				

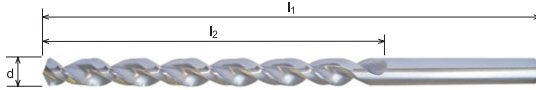
GENERAL



MATERIAL DESCRIPTIONS

Materials	Code 0	Code 1	Code 2	Code 3	Code 4	Code 5	Code 7
Free Cutting Steels	x	x	x	x	x	x	x
Carbon Steel	x	x	x	x	x	x	x
Alloy Steel	x	x	x	x	x	x	x
Stainless Steel	x	x	x	x	x	x	x
Heat Resisting Alloys		x	x				
Nimonic Alloys				x	x	x	x
Titanium	x	x	x	x	x	x	x
Tool Steel				x	x	x	x
Cast Irons	x	x	x	x	x	x	x
Nickel	x						
Manganese Steels		x	x			x	x
Aluminium Alloys	x	x	x	x	x	x	x
Magnesium Alloys		x	x			x	x
Zinc Alloys						x	x
Copper	x	x	x	x	x	x	x
Synthetics / Plastics	x	x	x	x	x	x	x

UDL Long Series Drills - Long Chip








d	l ₂	l ₁	Code	d	l ₂	l ₁	Code
1	33	56	1100100	5.6	91	139	1100560
1.1	37	60	1100110	5.7	91	139	1100570
1.2	41	65	1100120	5.8	91	139	1100580
1.3	41	65	1100130	5.9	91	139	1100590
1.4	41	70	1100140	6	91	139	1100600
1.5	45	70	1100150	6.1	97	148	1100610
1.6	50	76	1100160	6.2	97	148	1100620
1.7	50	76	1100170	6.3	97	148	1100630
1.8	53	80	1100180	6.4	97	148	1100640
1.9	53	80	1100190	6.5	97	148	1100650
2	56	85	1100200	6.6	97	148	1100660
2.1	56	85	1100210	6.7	97	148	1100670
2.2	59	90	1100220	6.8	102	156	1100680
2.3	59	90	1100230	6.9	102	156	1100690
2.4	62	95	1100240	7	102	156	1100700
2.5	62	95	1100250	7.1	102	156	1100710
2.6	66	100	1100260	7.2	102	156	1100720
2.7	66	100	1100270	7.3	102	156	1100730
2.8	66	100	1100280	7.4	102	156	1100740
2.9	66	100	1100290	7.5	102	156	1100750
3	66	100	1100300	7.6	109	165	1100760
3.1	69	106	1100310	7.7	109	165	1100770
3.2	69	106	1100320	7.8	109	165	1100780
3.3	69	106	1100330	7.9	109	165	1100790
3.4	73	112	1100340	8	109	165	1100800
3.5	73	112	1100350	8.1	109	165	1100810
3.6	73	112	1100360	8.2	109	165	1100820
3.7	73	112	1100370	8.3	109	165	1100830
3.8	78	119	1100380	8.4	109	165	1100840
3.9	78	119	1100390	8.5	109	165	1100850
4	78	119	1100400	8.6	115	175	1100860
4.1	78	119	1100410	8.7	115	175	1100870
4.2	78	119	1100420	8.8	115	175	1100880
4.3	82	126	1100430	8.9	115	175	1100890
4.4	82	126	1100440	9	115	175	1100900
4.5	82	126	1100450	9.1	115	175	1100910
4.6	82	126	1100460	9.2	115	175	1100920
4.7	82	126	1100470	9.3	115	175	1100930
4.8	87	132	1100480	9.4	115	175	1100940
4.9	87	132	1100490	9.5	115	175	1100950
5	87	132	1100500	9.6	121	184	1100960
5.1	87	132	1100510	9.7	121	184	1100970
5.2	87	132	1100520	9.8	121	184	1100980
5.3	87	132	1100530	9.9	121	184	1100990
5.4	91	139	1100540	10	121	184	1101000
5.5	91	139	1100550				

Code

110

Properties

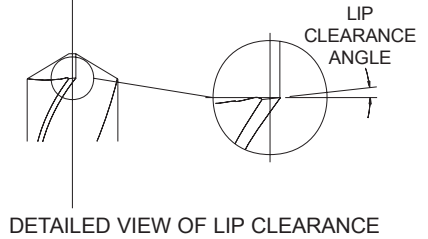
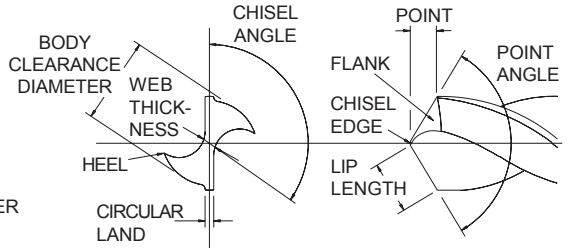
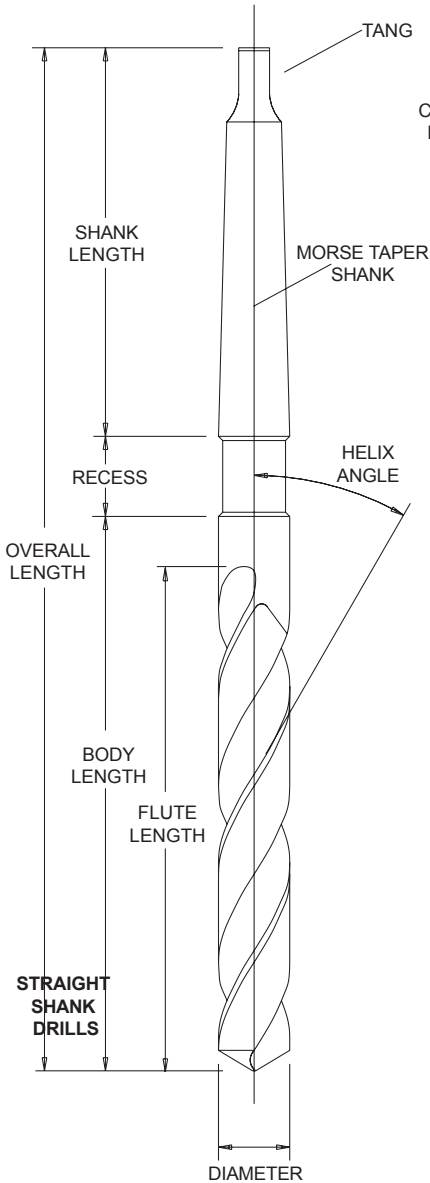
M	DIN 340	HSS Co5
	TYPE FS	
	40°	BRIGHT FINISH
	STANDARD POINT sizes below 1.5 mm	
	SPLIT POINT 1.5 mm and above	

Suited Materials

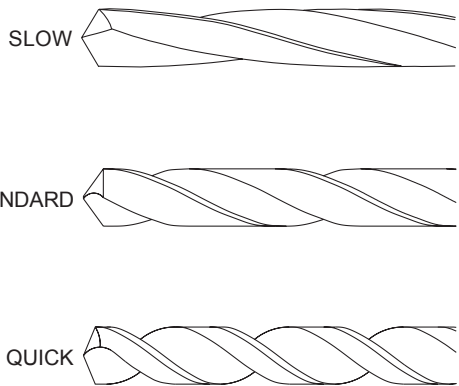
CARBON STEEL	ALLOY STEEL	ALUMINIUM
GENERAL		



STRAIGHT SHANK DRILLS

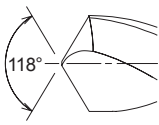


TYPES OF SPIRAL (OR HELIX) ANGLES

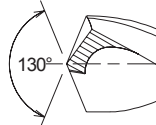
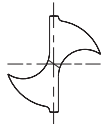


Note : Selecting the correct Drill
Refer to the User Guide for detailed information.

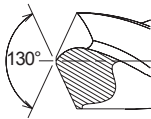
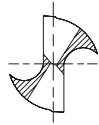
DRILL POINT STYLES



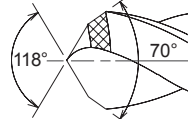
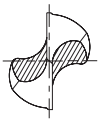
Standard Point



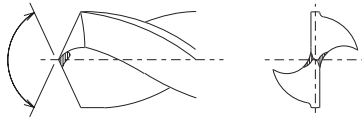
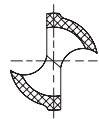
Split Point
Din 1412 Form C



"UX Point"
DIN 1412 TYPE B



Cast Iron Point
"DX Point"
DIN 1412 TYPE D

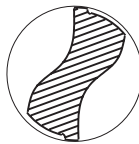


DIN 1412 TYPE A

FLUTE FORMS



- Conventional Web



- Parabolic Flute Form
- Thicker Web



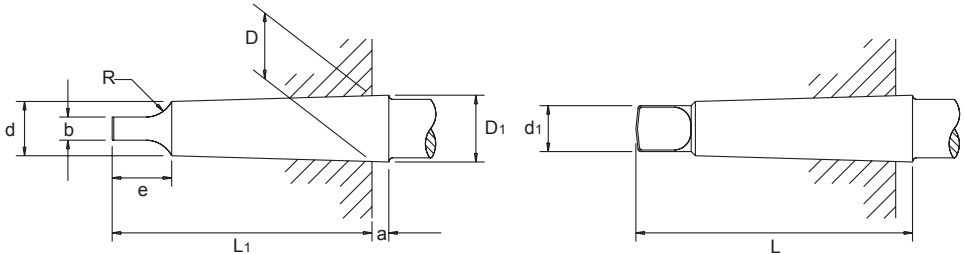
- Chipbreak SHANK DRILLS

Benefits of the Parabolic Flute Form

Heavy web construction increases rigidity under torsional load thus eliminating chatter at the cutting edges which cause edge break down and early failure. The Parabolic drill web is 50-90% thicker than the standard drill, depending on drill diameter.

Wider flute form, together with quicker spiral, promotes better chip removal while allowing easier coolant flow to the drill point.

STANDARD MORSE TAPER SHANK To I.S.O. 296 DIN228 BS1660



No. of Taper	Fitting line Diameter D	Diameter d	Overall Length Max L	D 1	a	Max L1	Max e	H13 b	Max d1	Taper / mm on Dia	Max R
1	12.065	9.0	65.5	12.2	3.5	62.0	13.5	5.2	8.7	0.04998	5.0
2	17.780	14.0	80.0	18.0	5.0	75.0	16.0	6.3	13.5	0.04995	6.0
3	23.825	19.0	99.0	24.1	5.0	94.0	20.0	7.9	18.5	0.05020	7.0
4	31.267	25.0	124.0	31.6	6.5	117.5	24.0	11.9	24.5	0.05194	8.0
5	44.399	36.0	156.0	44.7	6.5	149.5	29.0	15.9	35.7	0.05263	10.0
6	63.348	52.0	218.0	63.8	8.0	210.0	40.0	19.0	51.0	0.05214	13.0

HOW TO ORDER SPECIALS

MODIFIED STANDARDS

There are many instances when a special tool (a tool not found in the Somta catalogue or price list) can be manufactured from a standard product. We call this a 'modified standard'. Somta has both the capability and capacity to offer this service which, under normal circumstances, means a short delivery time.

The following are typical drill modifications:

Intermediate Diameters

Standard sizes can be ground down to special diameters and tolerances.

Reduced Overall Lengths

Standard drills can be cut to special lengths.

Drill Points

The standard drill point angle is 118° included. This can be modified to any angle required. Many special

points are available which include web thinning, notch points, split points, double angle points, spur and brad points etc.

Tangs and Flats

Tangs can be produced to DIN, ASA and ISO, also special whistle notch flats on shanks.

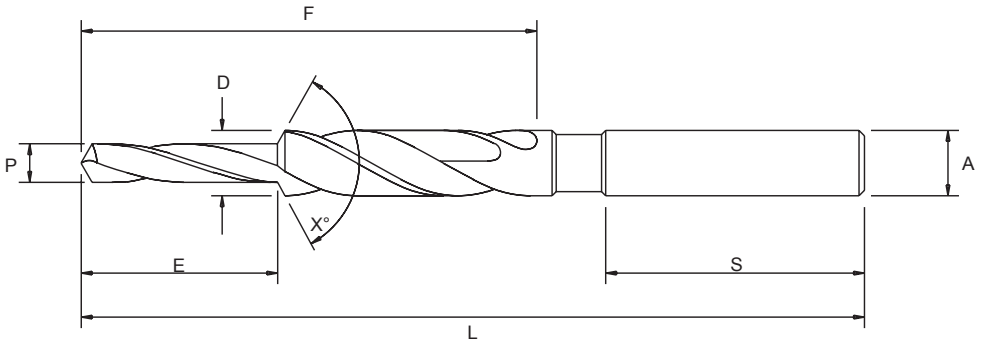
Step Drills

Standard drills can be modified into step drills.

Surface Treatments

A full range of surface treatments including nitriding, stream oxide, chemical blackening, gold oxide and various titanium coatings are available.

MULTIPLE DIAMETER DRILLS



Specify whether drill is to be Step or Subland Type.

D = Diameter of large, fluted section.

P = Diameter of small, fluted section.

A = Shank Diameter.

L = Overall Length.

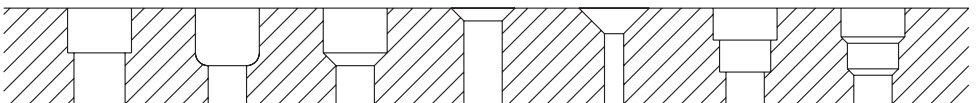
F = Flute Length.

E = Length of Small Diameter. This is measured from the extreme point to the bottom corner of the step angle.

X° = Included angle of the step angle.

S = Shank Length.

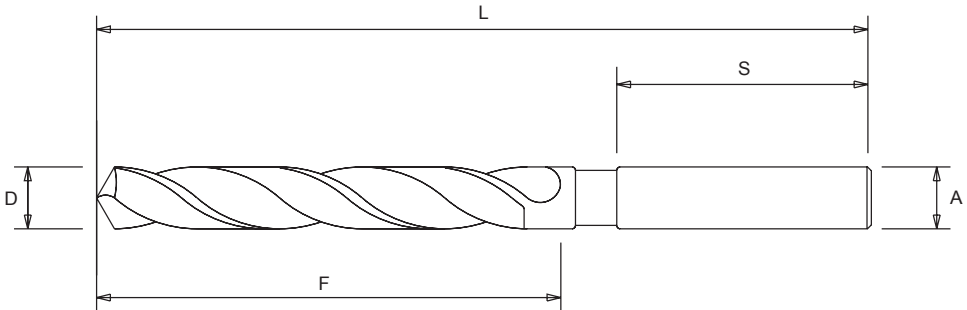
It is possible to drill two or more diameters in a hole on one operation with a correctly designed drill and these are often used in mass production engineering.



Some of the hole types that can be drilled in a single operation.

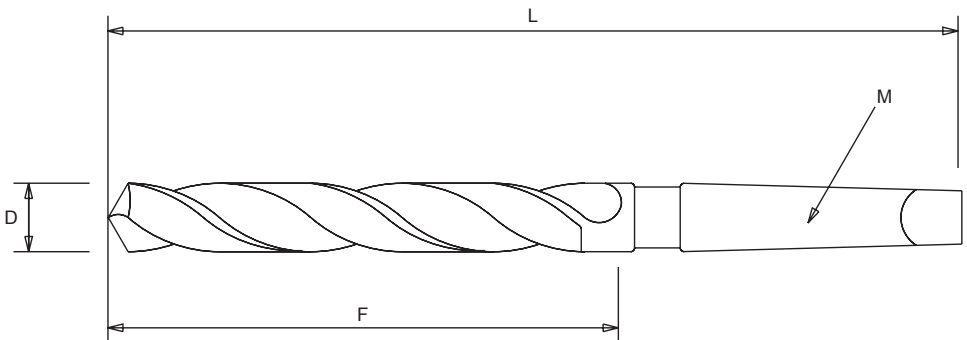
When an intermediate diameter or a non standard length of drill is required, the following diameters and lengths need to be specified.

Straight Shank Drills



D = Drill Diameter
A = Shank Diameter
L = Overall Length
F = Flute Length
S = Shank Length

Morse Taper Shank Drills



D = Drill Diameter
L = Overall Length
F = Flute Length
M = Morse Taper Size